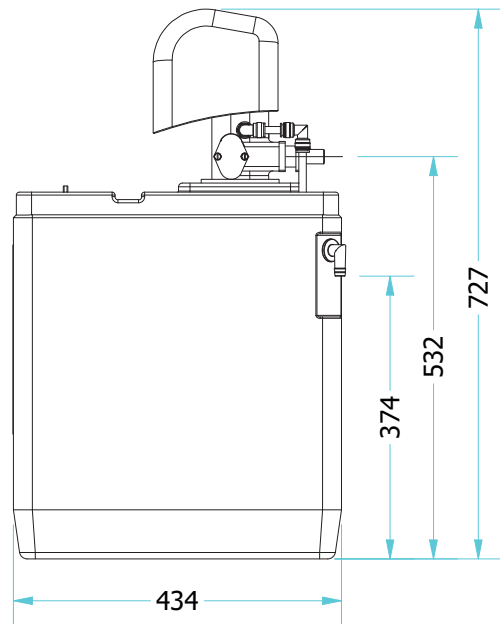
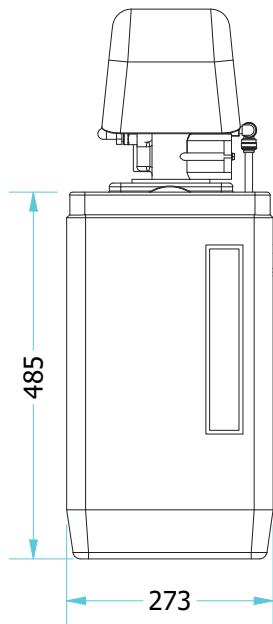


CONNECTIONS	
INLET	3/4" BSP.
OUTLET	3/4" BSP.
DRAIN	14 mm OD. HOSE TAIL
OVERFLOW	14 mm OD. HOSE TAIL



COLD WATER SOFTENER INSTALLATION REQUIREMENTS	
WATER PRESSURE	MIMIMUM 1.5 BAR / MAXIMUM 3 BAR.
WATER TEMPERATURE	MAXIMUM 35 DEG CELSIUS - PROTECT FROM FREEZING.
ELECTRICAL SUPPLY	240 V UK POWER SOCKET MAINTAINED POWER SUPPLY
CAPACITY	2929 LTRS (@ 286 PPM HARDNESS)



EUROPEAN WATERCARE LTD  
 REGAL HOUSE, SOUTH ROAD  
 HARLOW, CM20 2BL  
 ESSEX, ENGLAND  
 TEL: +44 (0) 1279 780 250

EUROPEAN WATERCARE LTD  
 This drawing and its contents are the exclusive property of  
 European Watercare Ltd and may not be used, copied  
 or disclosed to any third party without the express written  
 permission of European Watercare Ltd. It must be  
 returned immediately upon request.

APPR. BY: \_\_\_\_\_  
 APPR. DATE: \_\_\_\_\_  
 SCALE: 1:10  
 JOB No: 001  
 DRAWN BY: RM  
 DATE: 11/01/2020

SHEET SIZE: A4  
 REV. | P | \_\_\_\_\_



THIRD ANGLE PROJECTION

TITLE:  
 PC18 - 18 LTR COLD WATER SOFTENER  
 EUROPEAN WATERCARE

SHEET NUMBER: 1 OF 1

DRAWING No. PC18