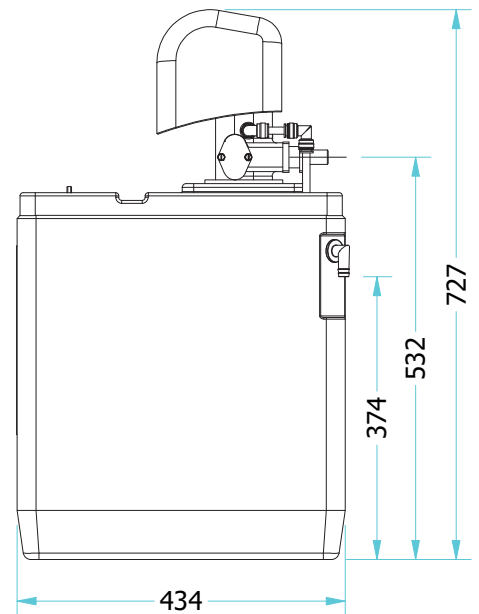
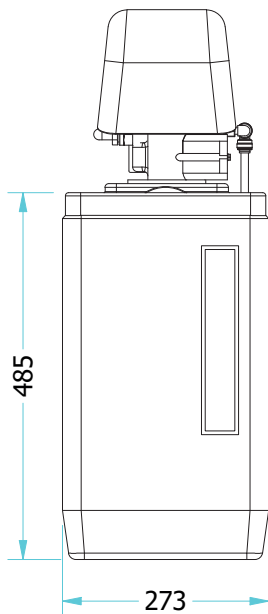


CONNECTIONS	
INLET	3/4" BSP.
OUTLET	3/4" BSP.
DRAIN	14 mm OD. HOSE TAIL
OVERFLOW	14 mm OD. HOSE TAIL



COLD WATER SOFTENER INSTALLATION REQUIREMENTS	
WATER PRESSURE	MIMIMUM 1.5 BAR / MAXIMUM 3 BAR.
WATER TEMPERATURE	MAXIMUM 35 DEG CELSIUS - PROTECT FROM FREEZING.
ELECTRICAL SUPPLY	240 V UK POWER SOCKET MAINTAINED POWER SUPPLY
CAPACITY	2278 LTRS (@ 286 PPM HARDNESS)



EUROPEAN WATERCARE LTD  
REGAL HOUSE, SOUTH ROAD  
HARLOW, CM20 2BL  
ESSEX, ENGLAND  
TEL: +44 (0) 1279 780 250

EUROPEAN WATERCARE LTD  
This drawing and its contents are the exclusive property of European Watercare Ltd and may not be used, copied or disclosed to any third party without the express written permission of European Watercare Ltd. It must be returned immediately upon request.

APPR. BY:  
APPR. DATE:  
SCALE: 1:10  
JOB No: 001  
DRAWN BY: RM  
DATE: 16/07/2020

SHEET SIZE: A4

REV.:



TITLE:  
PC14 - 14 LTR COLD WATER SOFTENER  
EUROPEAN WATERCARE

SHEET NUMBER: 1 OF 1

DRAWING No. PC14