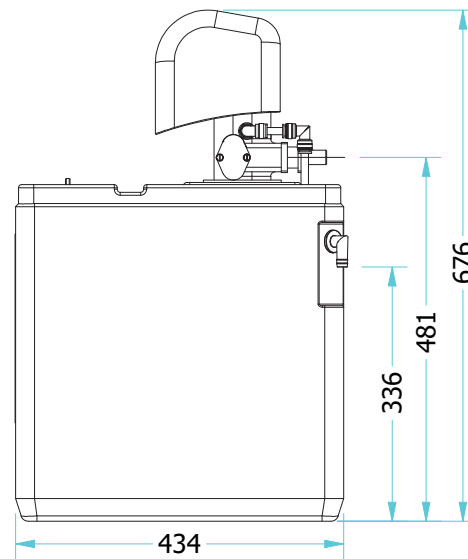
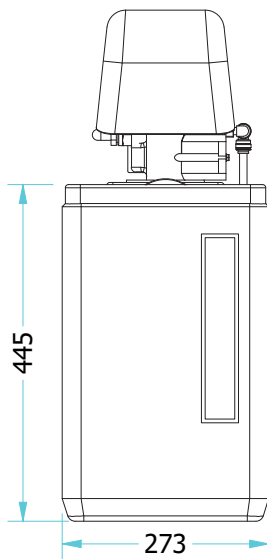


CONNECTIONS	
INLET	3/4" BSP.
OUTLET	3/4" BSP.
DRAIN	14 mm OD. HOSE TAIL
OVERFLOW	14 mm OD. HOSE TAIL



COLD WATER SOFTENER INSTALLATION REQUIREMENTS	
WATER PRESSURE	MINIMUM 1.5 BAR / MAXIMUM 3 BAR.
WATER TEMPERATURE	MAXIMUM 35 DEG CELSIUS - PROTECT FROM FREEZING.
ELECTRICAL SUPPLY	240 V UK POWER SOCKET MAINTAINED POWER SUPPLY
CAPACITY	1494 LTRS (@ 286 PPM HARDNESS)



EUROPEAN WATERCARE LTD
 REGAL HOUSE, SOUTH ROAD
 HARLOW, CM20 2BL
 ESSEX, ENGLAND
 TEL: +44 (0) 1279 780 250

EUROPEAN WATERCARE LTD
 This drawing and its contents are the exclusive property of European Watercare Ltd and may not be used, copied or disclosed to any third party without the express written permission of European Watercare Ltd. It must be returned immediately upon request.

APPR. BY: _____
 APPR. DATE: _____
 SCALE: 1:10
 JOB No: 001
 DRAWN BY: RM
 DATE: 11/01/2020

SHEET SIZE: A4

REV. | P | _____



TITLE:
 PC10 - 10 LTR COLD WATER SOFTENER
 EUROPEAN WATERCARE

SHEET NUMBER: 1 OF 1

DRAWING No. PC10