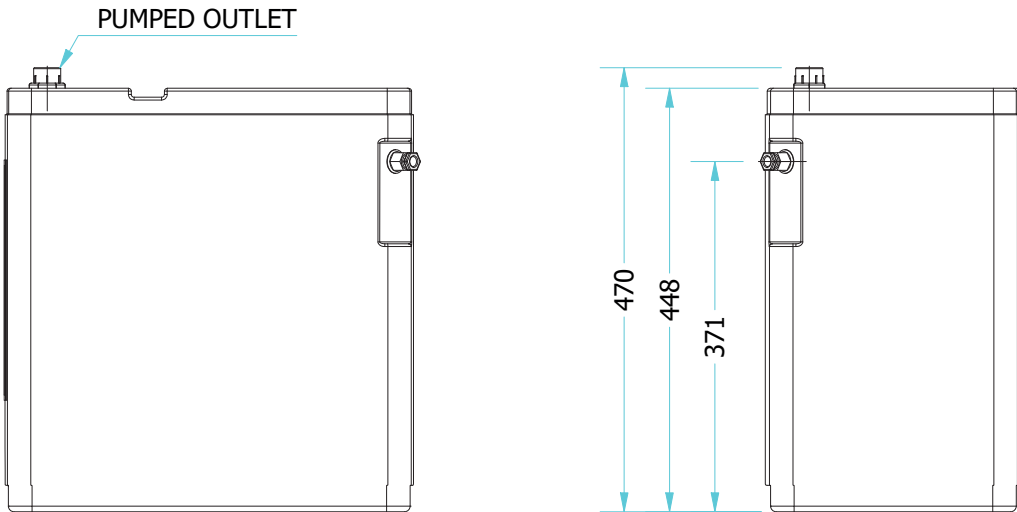


CONNECTIONS		
INLET	1.5" COMPRESSION FITTING	SEE INSTALLTION GUIDE FOR PERMITTED LOCATIONS
PUMPED OUTLET	3/4" BSP MALE	



COMBI PUMP INSTALLATION REQUIREMENTS	
MAX WATER TEMPERATURE	96 DEG CELSIUS
OPERATING TEMPERAURE	85 DEG CELSIUS
MIN TEMPERATURE	PROTECT FROM FREEZING
ELECTRICAL SUPPLY	240 V (PLUG NOT INCLUDED)
MAX INPUT FLOW	80 LITRES PER MINUTE
MAX OUTPUT FLOW	160 LITRES PER MINUTE



EUROPEAN WATERCARE LTD  
 REGAL HOUSE, SOUTH ROAD  
 HARLOW, CM20 2BL  
 ESSEX, ENGLAND  
 TEL: +44 (0) 1279 780 250

EUROPEAN WATERCARE LTD  
 This drawing and its contents are the exclusive property of European Watercare ltd and may not be used, copied or disclosed to any third party without the express written permission of European Watercare ltd. It must be returned immediately upon request.

APPR. BY: \_\_\_\_\_  
 APPR. DATE: \_\_\_\_\_  
 SCALE: 1:8  
 JOB No: 019  
 DRAWN BY: JS  
 DATE: 08/02/2020

SHEET SIZE: A4  
 REV. \_\_\_\_\_



THIRD ANGLE PROJECTION

TITLE:  
 COMBIPUMP CB4/CB7  
 EUROPEAN WATERCARE

SHEET NUMBER: 1 OF 1

DRAWING No. CB4/CB7